

STANDARD ICE CHESTS WITHOUT COLD PLATE



MODELS

TS Series

- TS24IC
- TS30IC
- TS36IC
- TS42IC
- TS48IC

MODELS

TSD Series

- TSD24IC
- TSD30IC
- TSD36IC
- TSD42IC
- TSD48IC



Perlick Features

- Dent resistant ABS top ledge
- Stainless steel legs install without tools and have "Rust Free" thermoplastic feet



GENERATIONS OF
EXCELLENCE

Form No. IC02
Rev. 01.17.2012

Perlick[®]

8300 West Good Hope Road • Milwaukee, WI 53223 • Phone 414.353.7060 • Fax 414.353.7069
Toll Free 800.558.5592 • E-Mail perlick@perlick.com • www.perlick.com

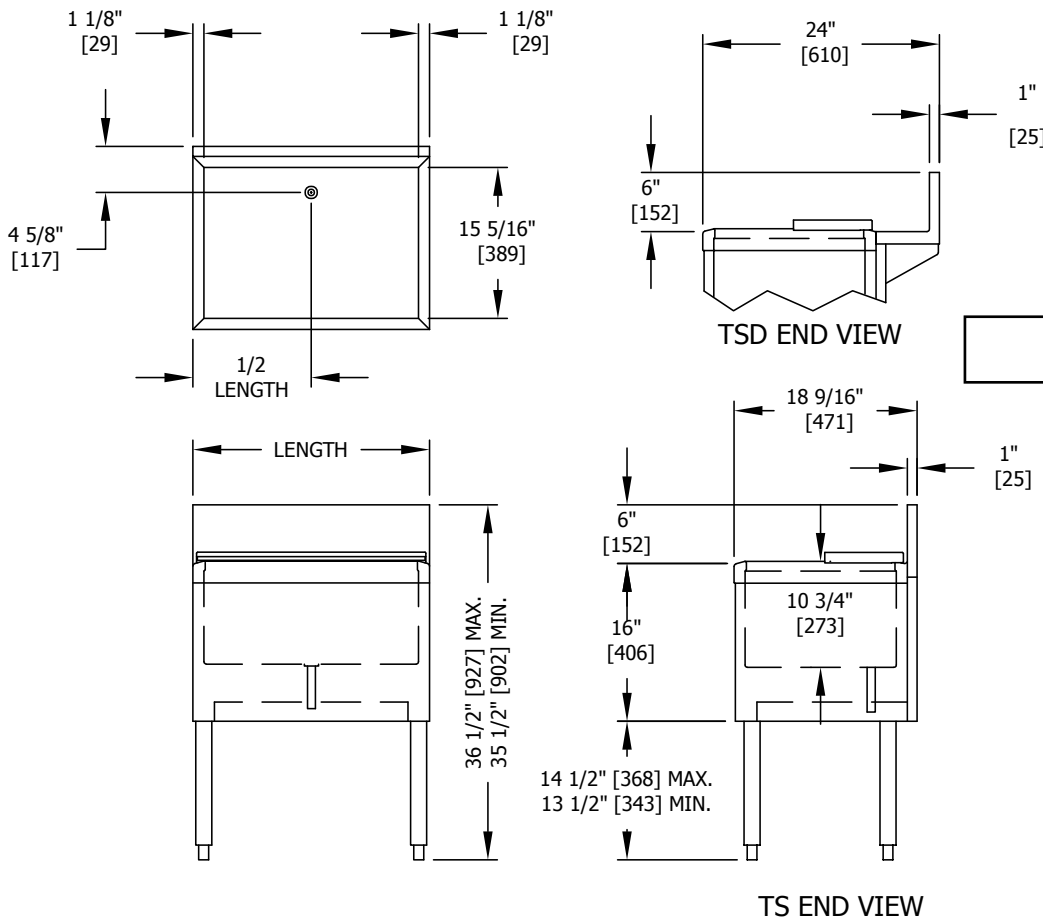
Size and Specifications

Standard Ice Chests without Cold Plate



Job _____
 Area _____
 Item No. _____
 Model No. _____

| MODEL NOS. | TS(D)18IC | TS(D)24IC | TS(D)30IC | TS(D)36IC | TS(D)42IC | TS(D)48IC |
|--------------------|---|-----------|-----------|-----------|------------|------------|
| LENGTH IN. (mm) | 18" (457) | 24" (610) | 30" (762) | 36" (914) | 42" (1067) | 48" (1219) |
| ICE CAP. lbs. (kg) | 35" (15.8) | 50 (22.7) | 70 (31.8) | 85 (38.6) | 100 (45.4) | 115 (52.2) |
| SHIP WT. lbs. (kg) | 50 (22.7) | 60 (27.2) | 70 (31.8) | 80 (36.3) | 90 (40.1) | 100 (45.4) |
| FRONT & SIDES | Stainless steel, top rim ABS | | | | | |
| BACKSPLASH | General and TS Series: Stainless steel 6" high (4" optional) with 1" return at top, mechanically fastened and sealed to ice chest top with steel support brackets TSD Series: Backlash and rear deck stainless steel | | | | | |
| BACK & BOTTOM | Galvanized steel | | | | | |
| COVERS | Stainless steel, two-piece, removable | | | | | |
| INTERIOR | Stainless steel with 1/4" radius corners, welded and sealer with non-exposed cold plate. Interiors can be divided with accessory freestanding ice dividers | | | | | |
| INSULATION | Foamed-in-place polyurethane | | | | | |
| LEGS (optional) | 1-5/8" tubular, stainless steel with 1" adjustable thermoplastic foot | | | | | |
| PLUMBING | Drain connection- 1/2" NPS male | | | | | |



Note: Covers not included.

Form No. IC02
 Rev. 01.17.2012



8300 West Good Hope Road • Milwaukee, WI 53223 • Phone 414.353.7060 • Fax 414.353.7069
 Toll Free 800.558.5592 • E-Mail perlick@perlick.com • www.perlick.com

Perlick is committed to continuous improvement. Therefore, we reserve the right to change specifications without prior notice