



N1322 - 1300lb Nugget Ice Machine

Prodigy Plus® Nugget Ice Machine

Superior performance with every cup.

Now the soft, chewable nugget ice that customers love is available with more innovative technology than ever before. With next-generation diagnostics like AutoAlert™ indicator lights on the new Scotsman Prodigy Plus® nugget ice machines, operators can help ensure superior performance while enjoying maximum efficiency — every day. And with features like advanced ice level control, a small operational footprint and easy-access service from the front panel, Prodigy Plus® nugget ice machines are the smart choice for today's busy food-service environments.



The Prodigy Plus® difference.

- The Original Chewable Ice®
- AutoAlert™ indicator lights for better visibility
- Operational footprint among the industry's smallest
- Industry-exclusive QR code instantly connects users to service information and warranty history
- Front-located air filter for more efficient operation
- Self-aligning front panel for easy access to key components
- Smart-Board™ advanced feature module available for additional diagnostic capabilities
- Optional Vari-Smart™ ice level control allows operators to customize ice levels
- Antimicrobial protection guards internal surfaces between cleanings
- A full range of water- and energy-saving features

N1322 - 1300lb Nugget Ice Machine



24 Hour Volume Production

| Air Cooled | | Remote Cooled | | Water Cooled | |
|------------|-------|---------------|-----------|--------------|----------|
| 70°F/21°C | Air | 90°F/32°C | 70°F/21°C | 70°F/21°C | Air |
| 50°F/10°C | Water | 70°F/21°C | 50°F/10°C | 50°F/10°C | Water |
| 1180/535 | | 950/431 | 1329/602 | 1030/467 | 1354/614 |
| lb/kg | | lb/kg | lb/kg | lb/kg | lb/kg |



Modular Bin & Dispenser Options



N1322 side by side on B948S

| Model Number* | Dimensions W" x D" x H" | AHRI Certified Bin Capacity lb/kg | Finish | Ship Weight lb/kg |
|---------------|-------------------------|-----------------------------------|-----------------|-------------------|
| B948S | 48 x 34 x 44** | 700/319 | Metallic | 220/100 |
| BH1100BB-A | 48 x 34 x 50** | 860/390 | SS w/ GBB† | 280/127 |
| BH1100SS-A | 48 x 34 x 50** | 860/390 | Stainless Steel | 280/127 |
| BH1300BB-A | 60 x 34 x 50** | 1100/499 | SS w/ GBB† | 310/140 |
| BH1300SS-A | 60 x 34 x 50** | 1100/499 | Stainless Steel | 310/140 |
| BH1600BB-A | 60 x 34 x 62** | 1375/624 | SS w/ GBB† | 370/168 |
| BH1600SS-A | 60 x 34 x 62** | 1375/624 | Stainless Steel | 370/168 |

*Contact Scotsman for bin top requirements. **Add 6" Height for bin legs.
† Stainless steel with galvanized back & bottom.



Nugget Ice



The Original Chewable Ice™! Soft ice ideal for fountain beverages and blended fruit drinks.



Certification



Warranty

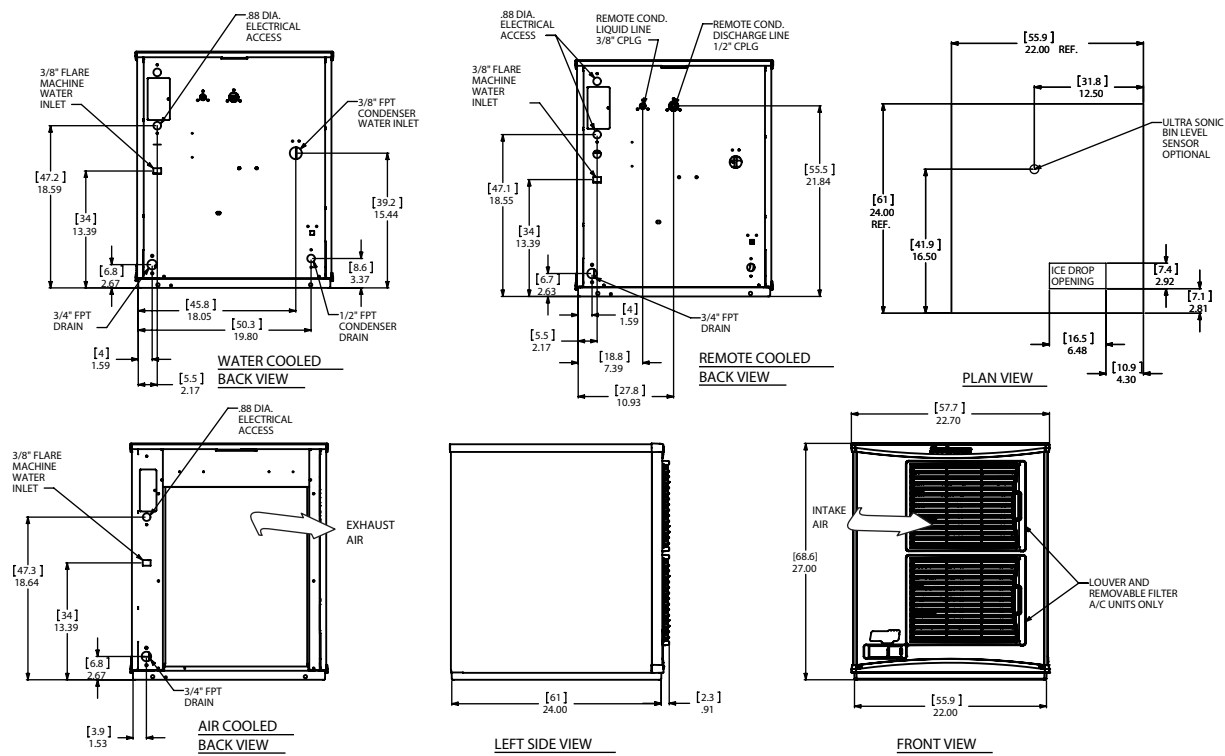
- 3 years parts and labor on all components.
- 5 years parts on the compressor.
- Warranty valid in North, South & Central America for commercial installations.
- Contact factory for warranty in other regions.



N1322 - 1300lb Nugget Ice Machine

Prodigy Plus® Nugget Ice Machine

N1322 - 1300lb Nugget Ice Machine



Specifications

| Model Number | Condenser Unit | Basic Electrical Volts/Hz/Phase | Max. Fuse Size or HACR Circuit Breaker (amps) | Circuit Wires | Min. Circuit Ampacity | Energy Consumption kWh/100 lb (45.4 kg) 90°F(32°C)/70°F(21°C) | Water Usage Gallons/100 lb (liters/45.4 kg) | | Energy Star® |
|--------------|----------------|---------------------------------|---|---------------|-----------------------|---|---|---------------------------------|--------------|
| | | | | | | | Potable 90°F(32°C)/70°F(21°C) | Condenser 90°F(32°C)/70°F(21°C) | |
| N1322A-32 | Air | 208-230/60/1 | 30 | 2 | 19.1 | 4.2 | 12.0/45.5 | - | ✓✓ |
| N1322R-32 | Remote | 208-230/60/1 | 30 | 2 | 18.9 | 4.0 | 12.0/45.5 | - | |
| N1322W-32 | Water | 208-230/60/1 | 30 | 2 | 17.9 | 4.0 | 12.0/45.5 | 81/307.1 | |



All Models

Dimensions (W x D x H):

Unit: **Individual**
22.9" x 24" x 27"
(58.2 x 61.0 x 68.6 cm)

Side by Side
44" x 24" x 27"
(111.8 x 61.0 x 68.6 cm)

Shipping Carton: 25.5" x 27.5" x 32.5"
(64.8 x 69.9 x 82.6 cm)

Shipping Weight: 225 lb / 102 kg
BTUs per hour: 16,000
Refrigerant: R-404A



Accessories

| Model Number | Description |
|--------------|---|
| KVS | Vari-Smart™ Ice Level Control - Program ice bin levels to match ice needs. |
| KSBU | Smart-Board™ Advanced Control - Use additional operational data for fast diagnosis. |
| KSBU-N | Smart-Board™ Advanced Control with Network - Network capable. |
| ERC311-32A | Remote condenser for N1322R, 208-230V/60/1 |
| RTE10 | Line set, pre-charged, R404A, 10ft. |
| RTE25 | Line set, pre-charged, R404A, 25ft. |
| RTE40 | Line set, pre-charged, R404A, 40ft. |
| RTE75 | Line set, pre-charged, R404A, 75ft. |
| KPAS | Prodigy Advanced Sustainability Kit - Includes KVS and KSBU - N |

Scotsman recommends all ice machines have water filtration. See Scotsman water filter specification sheet for details.



Operating Requirements

| | Minimum | Maximum |
|--------------------|-------------------|-------------------|
| Air Temperatures | 50°F (10°C) | 100°F (38°C) |
| Water Temperatures | 40°F (4.4°C) | 100°F (38°C) |
| Remote Cond. Temps | -20°F (-29°C) | 120°F (49°C) |
| Water Pressures | 20 PSIG (1.4 bar) | 80 PSIG (5.5 bar) |
| Electrical Voltage | -5% | +10% |

Specifications and design are subject to change without notice.

• 101 Corporate Woods Parkway, Vernon Hills, IL 60061 •

• 1-800-SCOTSMAN • Fax: 847-913-9844 • www.scotsman-ice.com • customer.relations@scotsman-ice.com •

