

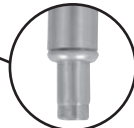


STAINLESS STEEL TABLE WITH SINK

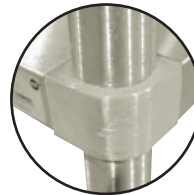
Item #:	_____	Qty #:	_____
Model #:	_____		
Project #:	_____		



Rolled Rim Edge on
Front & Square
Edges on Side & Back



Bullet Feet



Featuring as Standard:
“THE PROVEN”
ORIGINAL ADVANCE TABCO
**Adjustable Undershelf
with Die Cast Leg Clamp**

KMS-11B-305R Shown

FEATURES:

- Top is furnished with 1 5/8" sanitary rolled rim edge on front and square sides, and a 5" splash with a 1" return on the rear side.
- THREE hat channels stud welded to reinforce and maintain a level working surface.
- Pre-engineered welded angle adapters insure ease of future drawer installation.
- Aluminum die cast "leg-to-shelf" clamp secures shelf to leg eliminating unsightly nuts and bolts. Undershelf is adjustable.
- Stainless steel 16" x 20" x 12" deep drawn sink bowl integrally welded to top.
- K-50 Deck Mounted Faucet included.

CONSTRUCTION:

- All TIG welded. Exposed weld areas polished to match adjacent surfaces.
- Entire top mechanically polished to a satin finish.
- Top is sound deadened.
- Roll formed embossed galvanized hat channels are secured to top by means of structural adhesive and weld studs.
- Gussets welded to support hat channels.

MATERIAL:

- TOP is 16 gauge stainless steel type "304" series.
- SHELF is 18 gauge stainless steel type "430" series.
- LEGS are 1 5/8" diameter, tubular stainless steel with stainless steel gussets and 1" adjustable stainless steel bullet feet.

Model #	Length	Weight
KMS-11B-305L	30"X60"	140 lbs.
KMS-11B-305R	30"X60"	140 lbs.
KMS-11B-306L	30"X72"	165 lbs.
KMS-11B-306R	30"X72"	165 lbs.

Choose Left or Right Sink Position



Customer Service Available To Assist You 1-800-645-3166 8:30 am - 8:00 pm E.S.T.

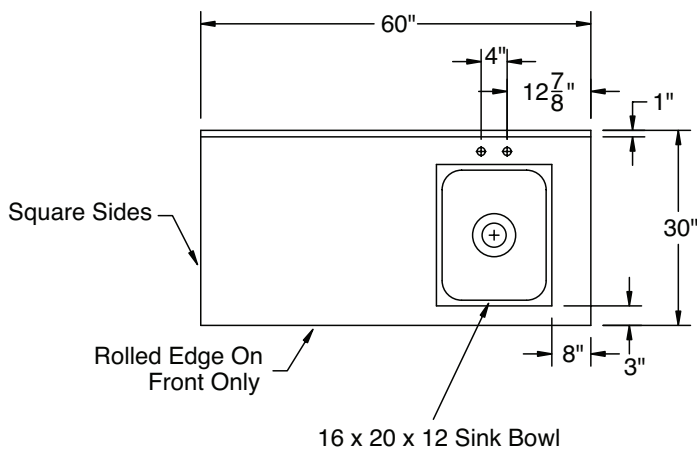
For Orders & Customer Service:
Email: customer@advancetabco.com or Fax: 631-242-6900

For Smart Fabrication™ Quotes:
Email: smartfab@advancetabco.com or Fax: 631-586-2933

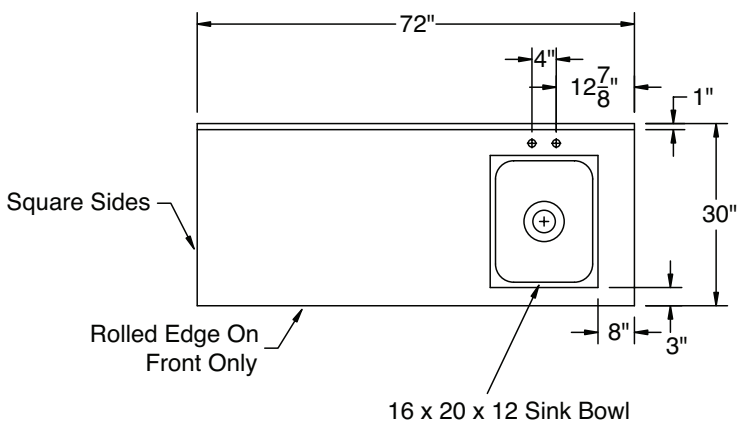
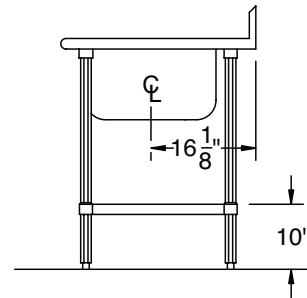
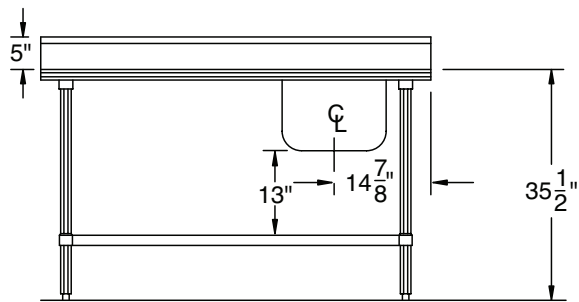
DETAILS and SPECIFICATIONS

TOL ± .500"

ALL DIMENSIONS ARE TYPICAL



KMS-11B-305R SHOWN



KMS-11B-306R SHOWN

