



DELUXE AND BUDGET DRAWERS

Item #: _____ Qty #: _____
 Model #: _____
 Project #: _____



- Stainless Steel Front
- Ball Bearing Slides
- Removable Insert

MODEL #	Type	Length	Width	Insert
SS-2015	Stainless Steel	21 1/2"	17 3/4"	20" x 15" x 5"
GZ-2015	Galvanized	21 1/2"	17 3/4"	20" x 15" x 5"
SS-2020	Stainless Steel	21 1/2"	22 3/4"	20" x 20" x 5"
GZ-2020	Galvanized	21 1/2"	22 3/4"	20" x 20" x 5"
SS-1520	Stainless Steel	17 3/4"	21 1/2"	15" x 20" x 5"
GZ-1520	Galvanized	17 3/4"	21 1/2"	15" x 20" x 5"

**DELUXE AND BUDGET
DRAWER ACCESSORIES**

Padlockable Drawer Lock TA-13
 (Does not include lock. Fits padlocks up to 3/8" Dia. lock shaft)

Keyed Drawer Lock TA-14
 (Does not apply to Budget Drawers)

Drawer Adapter/Non Catalog Tables
 (Specify table width) TA-90



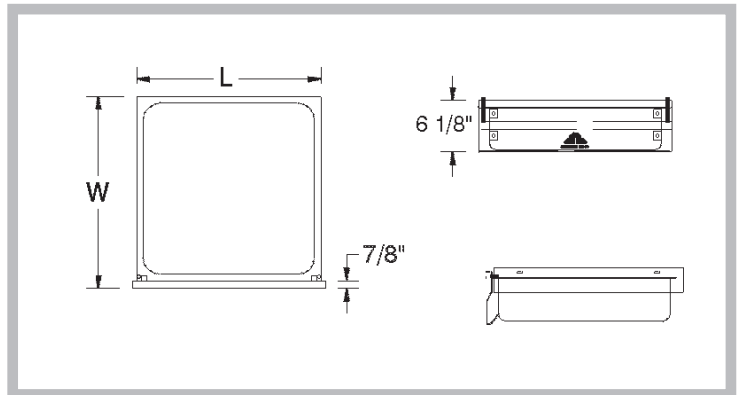
- Friction Slides
- Die Formed Handle

MODEL #	Type	Length	Width	Insert
FS-2015	Stainless Steel	21 1/2"	17 3/4"	20" x 15" x 5"
FG-2015	Galvanized	21 1/2"	17 3/4"	20" x 15" x 5"
FS-2020	Stainless Steel	21 1/2"	22 3/4"	20" x 20" x 5"
FG-2020	Galvanized	21 1/2"	22 3/4"	20" x 20" x 5"
FS-1520	Stainless Steel	17 3/4"	21 1/2"	15" x 20" x 5"
FG-1520	Galvanized	17 3/4"	21 1/2"	15" x 20" x 5"

DELUXE SERIES DRAWERS DETAILS and SPECIFICATIONS

TOL ± .500"

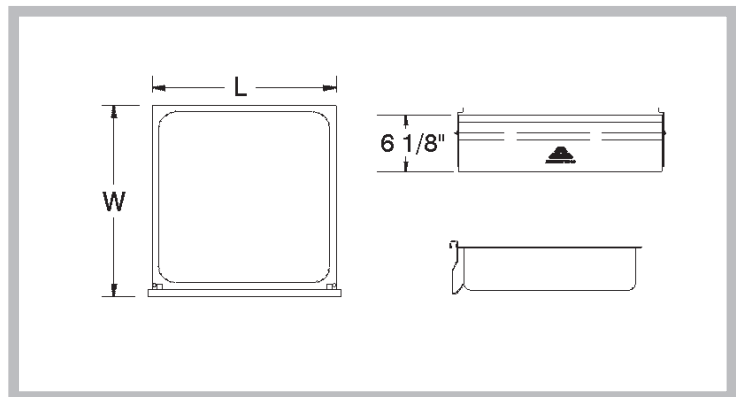
ALL DIMENSIONS ARE TYPICAL



BUDGET SERIES DRAWERS DETAILS and SPECIFICATIONS

TOL ± .500"

ALL DIMENSIONS ARE TYPICAL



Customer Service Available To Assist You **1-800-645-3166** 8:30 am - 8:00 pm E.S.T.

Email Orders To: customer@advancetabco.com. For Smart Fabrication™ Quotes, Email To: smartfab@advancetabco.com or Fax To: 631-586-2933

NEW YORK
 Fax: (631) 242-6900

GEORGIA
 Fax: (770) 775-5625

TEXAS
 Fax: (972) 932-4795

NEVADA
 Fax: (775) 972-1578