

# CLUB TOP DIRECT DRAW KEG REFRIGERATORS

Combination of Draft Beer Dispenser & Chilled Glass Storage



**EBD – Series** • EBD2-CT • EBD3-CT • EBD4-CT



▲ EBD2-CT



▲ EBD3-CT



▲ EBD4-CT

## Cabinet Construction

Heavy duty stainless steel countertop and lid, textured and laminated black vinyl exterior. Galvanized steel interior wall, and high quality stainless steel floor. 1 3/4" thick high density foamed-in-place polyurethane insulation. Compact, easy-access club top compartment. Built-in caster thread receptacles for all units.

## Refrigeration System

- Side mounted condensing unit
- Oversized condenser and evaporator coils quickly achieve and maintain desired temperature
- Forced-air cooling with oversized evaporator fan motors provide balanced airflow throughout cabinet to ensure faster temperature drop
- Removable side panel and slide-out condensing unit for convenient repair and maintenance
- Environmentally friendly CFC free R-134A refrigerant
- Air defrost controlled by electrical timer
- Copper tube and aluminum fin evaporator with anti-corrosive coating
- Energy efficient condensate drain pan assembly heated by high side copper tube
- Pre-wired and ready to plug, 115V/60Hz/1Ph, NEMA 5-15P

## Lighting

- Shielded incandescent interior lighting with on/off switch

## Doors & Locks

- Textured and laminated black exterior and galvanized steel interior
- 1 3/4" thick high density foamed-in-place polyurethane insulation
- One piece snap-in magnetic door gaskets for easy replacement
- Heavy duty recessed door handles for a flat surface
- Door locks

## Draft Arms

- NSF approved 3" diameter insulated stainless steel draft arm with air distributor
- (2) single faucet draft arms for EBD2-CT, (1) single faucet & (1) dual faucet draft arms for EBD3-CT and (2) dual faucet draft arms for EBD4-CT

## Shelving (Chilled Glass Storage)

- One adjustable epoxy coated wire shelf with stainless steel pilasters and shelf clips

## Temperature Control

- Factory preset temperature, 35°F
- Temperature setting range from 32°F to 42°F
- Easy to set analog thermostat

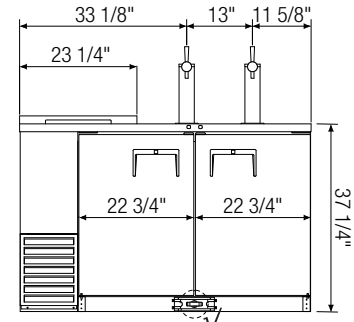
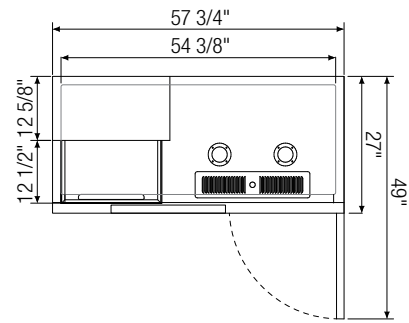
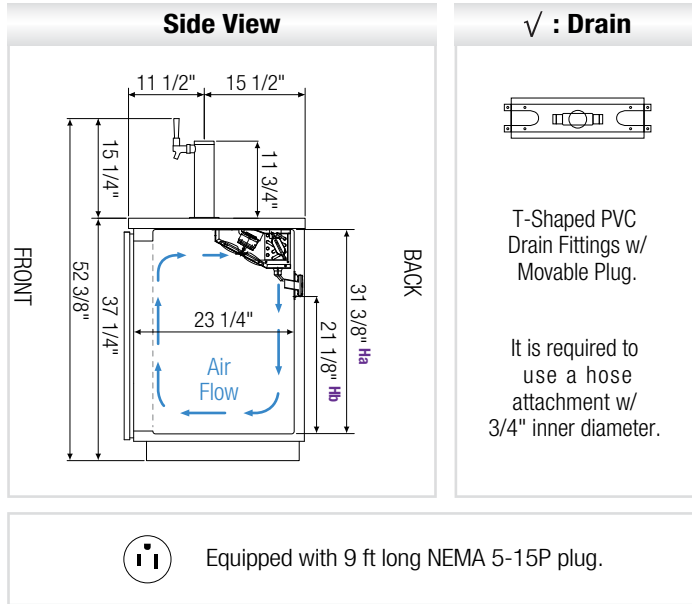
## Options

- 2 1/2" and 4" diameter casters (3 1/2" and 5" overall height)
- Dual faucet towers

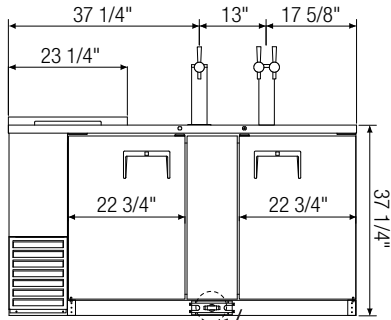
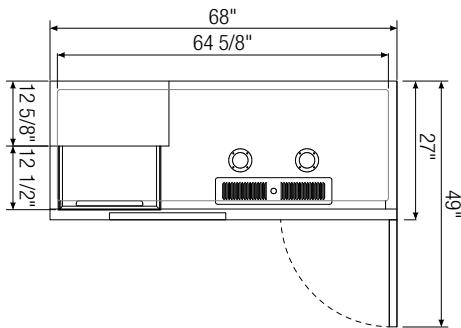


**5 YEAR** Compressor  
**3 YEAR** Parts & Labor

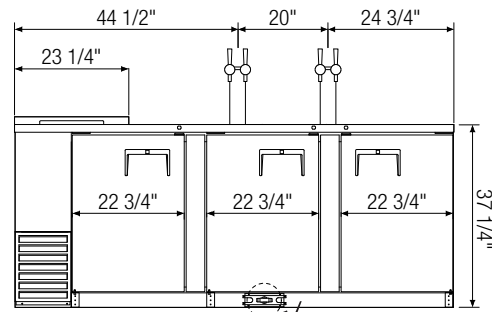
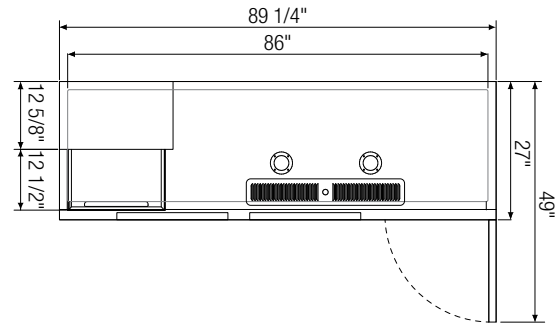
# Dimensions



**▲ EBD2-CT**



**▲ EBD3-CT**



**▲ EBD4-CT**

Model	Ref/ Frz/ Dual	# of Doors	Capacity (Cu.Ft.)	Capacity & Size of Barrels	HP	BTU/HR <sup>†</sup>	Refrigerant	# of Shelves	Power (V-Hz-Ph)	Amps	Crated Weight (LBS)	Exterior Dimensions (Inches)		
												L	D	H
EBD2-CT	Ref	2	22.95	(2) 1/2	1/4+	2,075	R-134A	1	115-60-1	4.50	293	57 3/4	27	37 1/4
EBD3-CT	Ref	2	27.28	(3) 1/2	1/4+	2,075	R-134A	1	115-60-1	4.50	331	68	27	37 1/4
EBD4-CT	Ref	3	36.30	(4) 1/2	1/3	2,555	R-134A	1	115-60-1	4.50	373	89 1/4	27	37 1/4

<sup>†</sup> : Based on evaporating temperature of 23°F (-5°C) & condensing temperature of 131°F (55°C).

Ha, Hb : Interior Height

Ref = Refrigerator

Specifications subject to change without notice.

Product dimensions are for general purposes and not absolute value. Product capacity(▶) is calculated based on standard industry figures. Slight variations may exist. If dimensions and capacity are critical, please contact Everest Refrigeration.



Please visit our website for updated Energy Efficiency information.