



# STAINLESS STEEL Glass Rack Storage Units

## 21" Wide Units

Item #: _____	Qty #: _____
Model #: _____	
Project #: _____	



*INCLUDES*  
**Adjustable Stainless Steel  
Glass Rack Slides**



**CRCR-24-CT Shown**  
*Holds Up To 3 Glass Racks*

**FEATURES:**

- Enclosed base case with adjustable stainless steel glass rack slides.
- Holds up to three glass racks.
- Flat or corrugated tops available.
- Drain located in back right of top (corrugated top model only).
- 3" diameter drain hole in back panel for plumbing.
- Stainless steel legs with adjustable stainless steel bullet feet.
- 4" backsplash.

**MATERIAL:**

- 20 gauge, 300 stainless steel
- Backsplash:** 22 gauge, 300 stainless steel
- Glass Rack Slides:** 18 gauge, 300 stainless steel
- Drainboard:** 22 gauge, 300 stainless steel (CRCR-24-CT only)
- Legs:** 1 5/8" O.D. 16 gauge, stainless steel with adjustable plastic bullet feet

**MECHANICAL:**

- 1" IPS drain

Model #	Description	Size W x L x H	Btm. Drain Location	Glass Rack Capacity*	Approx. Weight	Approx. Cu. Ft.
CRCR-24	Flat Top	21" x 24" x 33"	N/A	3	52 lbs.	13
CRCR-24-CT	Corrugated Top	21" x 24" x 33"	11 1/2"	3	52 lbs.	13

*\*Sizes Of Glass Racks Vary*



**Customer Service Available To Assist You 1-800-645-3166 8:30 am - 8:00 pm E.S.T.**

For Orders & Customer Service:  
Email: [customer@advancetabco.com](mailto:customer@advancetabco.com) or Fax: 631-242-6900

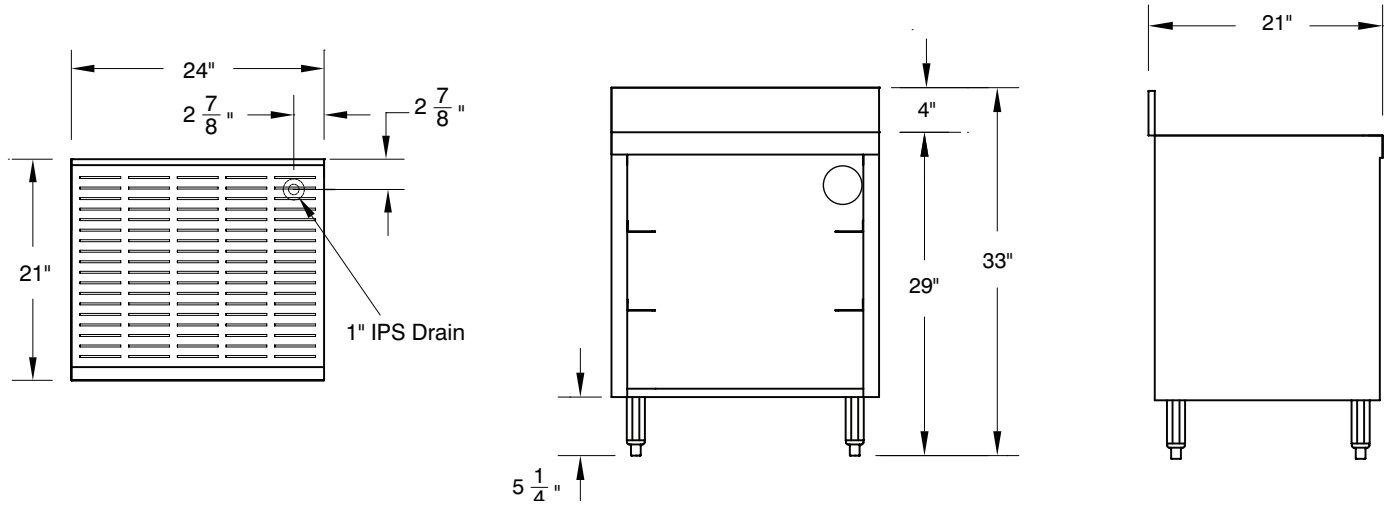
For Smart Fabrication™ Quotes:  
Email: [smartfab@advancetabco.com](mailto:smartfab@advancetabco.com) or Fax: 631-586-2933

# DIMENSIONS and SPECIFICATIONS

TOL Overall:  $\pm .500"$  Interior:  $\pm .250"$

ALL DIMENSIONS ARE TYPICAL

## CRCR-24-CT



## CRCR-24

